



## Series 4430

**Zetco WaterMarked & AGA Approved 2-Piece S/Steel Ball Valve F&F Lockable NPT Threads**

### DESCRIPTION

A versatile NPT female threaded ball valve dual-approved for use with both potable water (WaterMarked to AS 5830.1 Licence WM-022438) and gas applications (AGA approved to AS 4617, Licence 8265 G). The high quality 316 grade stainless steel body and lockable lever handle ensure a long service life and safe, reliable performance in a wide range of environments.

### FEATURES

<b>Design</b>	Investment cast body in 316 grade stainless steel Lockable lever handle for added safety and security PTFE ball seals for smooth, reliable operation Blow-out proof stem to prevent leakage and ensure safety
<b>Production</b>	Manufactured in China under ISO 9001 Quality Management System All valves are pressure tested during production
<b>Technical</b>	Female ANSI B1.20.1 (NPT) threaded connections Flow capacity: Full bore Flow control: on/off only, not intended for throttling Temperature range water/fluids: -20°C to 150°C Temperature range gas: -20°C to 60°C Max. pressure: 4000 kPa (refer to graph)
<b>Options &amp; Variants</b>	Size range WaterMarked: DN8 (1/4") to DN50 (2") Size range AGA Approved: DN8 (1/4") to DN100 (4") Series 4400 2-piece stainless WaterMarked BSP F&F lockable Series 4410 2-piece stainless AGA approved BSP F&F lockable Series 4440 3-piece stainless AGA approved NPT F&F lockable



AGA 8265 G  
AS 4617



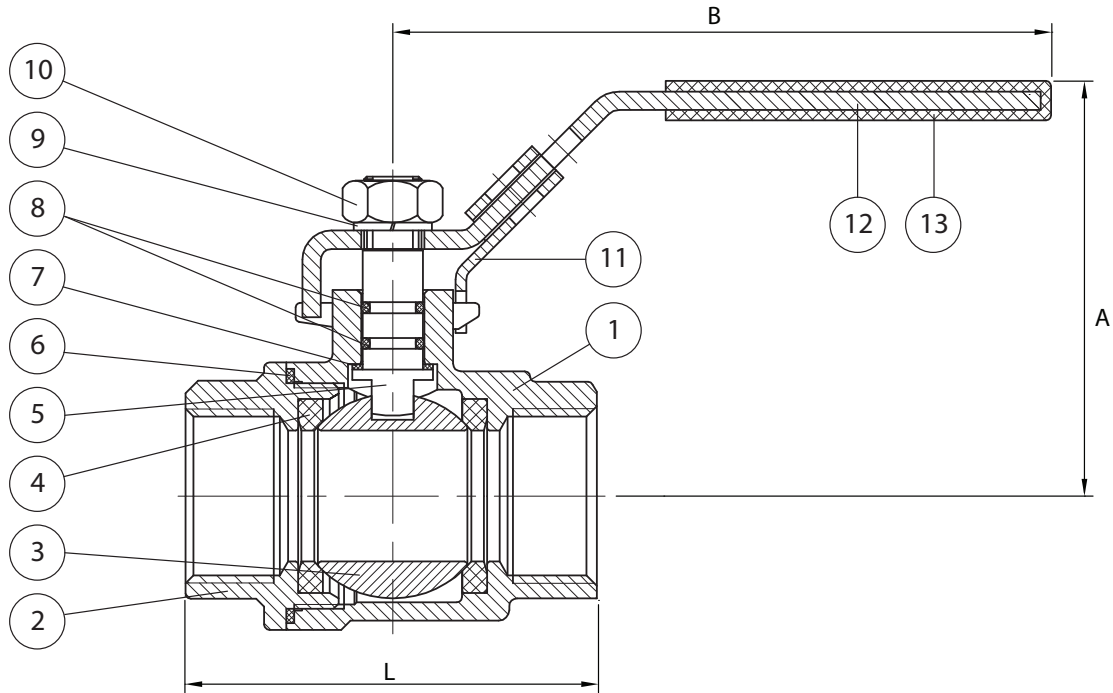
WaterMark  
IAPMO WM-022438  
AS 5830.1

# Series 4430

Zetco WaterMarked & AGA Approved 2-Piece S/Steel Ball Valve F&F Lockable NPT Threads



## DESCRIPTION



## PARTS MATERIALS

POS.	PART	MATERIAL
1	BODY	STAINLESS STEEL 316
2	END ADAPTOR	STAINLESS STEEL 316
3	BALL	STAINLESS STEEL 316
4	SEAT	PTFE
5	STEM	STAINLESS STEEL 316
6	GASKET	PTFE
7	THRUST WASHER	PTFE
8	O-RING	VITON®
9	SPRING WASHER	STAINLESS STEEL 304
10	STEM NUT	STAINLESS STEEL 304
11	LOCKING MECHANISM	STAINLESS STEEL 304
12	HANDLE	STAINLESS STEEL 304
13	HANDLE SLEEVE	VINYL

## DIMENSIONS (mm)

Prod. Code	DN	Size - (mm)	A	B	L	Kv	Wgt Kg
4430006	8	1/4" - (6.3)	56	102	52	5.1	0.240
4430010	10	3/8" - (9.5)	56	102	52	6	0.220
4430015	15	1/2" - (12.7)	65	123	58	8.6	0.280
4430020	20	3/4" - (19.0)	68	123	67	21.4	0.460
4430025	25	1" - (25.4)	79	153	81	30	0.645
4430032	32	1 1/4" - (31.7)	84	153	94	39.4	1.11
4430040	40	1 1/2" - (38.1)	94	183	104	68.6	1.41
4430050	50	2" - (50.8)	100	183	126	94.3	2.58
4430065	65	2 1/2" - (63.5)	135	246	158	266	5.46
4430080	80	3" - (76.2)	145	246	186	308	8.27
4430100	100	4" - (101.6)	168	350	260	703	16.17

## PRESSURE/TEMPERATURE GRAPH

