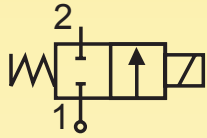


Solenoid valves for heating

2/2 way - Normally Closed - Direct Operated

Fittings: G = 3/8" - 1/2"

Series **153**

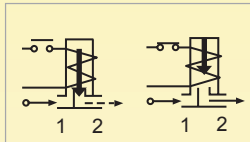


N.C.

Normally closed

Coil energised - open

Coil de-energised - closed



General description:

PARKER series **153** solenoid valves are direct operated and do not require a minimum differential pressure to operate. They are used for general applications with media such as **fuel oils up to 2°E**. Series **153** valves are **normally closed**.

Temperatures:

The working temperature for media is:
maximum **+140°C**
minimum **-10°C**
The maximum ambient temperature is:
with class "F" coils **+50°C**
with class "H" coils **+80°C**

Application:

Series **153** solenoid valves are ideal for automatic control of fuel oils up to **2°E**.

Some typical application examples:

- Heating systems;
- Diesel oil distribution systems;
- Tank level control.

Coils:

For series **153** valves class "F" (**155°C**) coils are available encapsulated in thermoplastic containing 30% glass fiber (types: ZB, YB) and class "H" coils (**180°C**) are available encapsulated in thermoplastic containing 40% of glass fiber (type ZH).

All the coils are for continuous service, 100% E.D.

The rated voltage tolerance is:

±10% for A.C. power supply
and **+10% -5% in D.C.**

The "Z" and "Y" coils can be used on a.c. with a frequency of 50/60 Hz (dual-frequency).

The "Z" coils have Faston terminals for **DIN 43650A** connector with protection to **IP65**.

The "Y" coil has terminals with 2 x 1,000 mm cables with protection to **IP67**.

Installation:

The valves can be mounted in any position without jeopardising their operation. It is however advisable to install them with the coil in a vertical position above the body.

Approvals:



- For the coils:
ZB 14 115V/50-60Hz, 220-230V/50-60Hz
ZH 14 24V/50-60Hz
ZH 16 12V-DC, 24V-DC
YB 14 220V/50-60Hz



- For the coil:
ZB 14 220-230V/50-60Hz

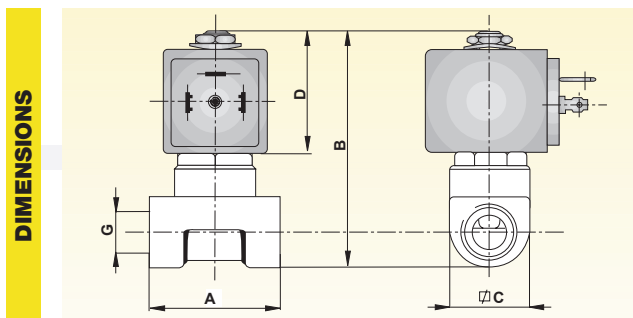
Series **153**

MATERIALS	• Valve body:	CW617N UNI EN 12165:98 brass stamping
	• Seals:	Viton
	• Enclosing tube:	AISI 304 stainless steel
	• Plunger:	AISI 430F stainless steel
	• Spring:	AISI 302 stainless steel
	• Shading ring:	Copper

ELECTRICAL FEATURES	Coil type []		Power [W]		Insulat. class
	A.C.(~)	D.C.(=)	A.C.(~)	D.C.(=)	
	ZB 14	ZB 16	14	16	F
	YB 14	YB 16	14	16	F
	ZH 14	ZH 16	14	16	H
	KP 07	-	7	-	F

SPECIFICATION	Fittings Ø G	Valve type	Nominal orifice Ø	Flow coefficient Kv	Minimum pressure	Max differential pressure (M.O.P.D.)		Coil type	Weight	Notes
	["]	[]	[mm]	[m³/h]	[bar]	in A.C.(~) [bar]	in D.C.(=) [bar]	[]	[Kg]	[]
	3/8	153 B	5	0,612	0	2	-	K	0,390	1
	1/2	153 G	5	0,612	0	2	-	K	0,350	1
	3/8	153 B	5	0,612	0	5	1,5	Z-Y	0,390	1
	1/2	153 G	5	0,612	0	5	1,5	Z-Y	0,350	1

Note: 1) NP (nominal pressure): 10 bar.



Fittings Ø G	A	B	C	D
["]	[mm]	[mm]	[mm]	[mm]
3/8	53	77,5	26	37,5
1/2	53	77,5	26	37,5

ORDER CODE	PM	153	V	[V] [Hz]/d.c.						
	VALVE BODY	FITTINGS	SEAL	Coil type	24 V 50/60 Hz	115V 50/60 Hz	220-230 V 50/60 Hz	240 V 50/60 Hz	12 V d.c.	24 V d.c.
		B 3/8"	V Viton	ZB 14	•	•	•	•	•	•
		G 1/2"		ZB 16					•	•
	SERIES			YB 14			•			
				YB 16					•	•
			ZH 14	•	•	•		•	•	
			ZH 16					•	•	
			Coil type	220 V / 50 Hz						
			KP 07			•				

Note: Valve supplied with body (PM) and coil separate. Connectors to be ordered separately.