



Standard capsule pressure gauges Type D4



Benefits

- With zero correction
- Optional overpressure and/or underpressure safety 10 x FSD
- Extremely low measuring ranges from 0/6 mbar
- GOSSTANDART-certified

Application

For gaseous, dry media which do not attack copper alloys.

! For measuring gas or vapour, observe the table "Selection Criteria as per EN 837-2" (see appendix)!

Technical specifications

Type

D4

Nominal size

63 – 100 – 160

Accuracy class (EN 837-3/6)

1,6

4,0

Ranges (EN 837-3/5)

See ordering table

Application area

Static load: Full scale value

Dynamic load: 0.9 x full scale value

Overload safety: 1.3 x full scale value

Operating temperature range

Medium: Max. 60 °C

Ambient: -20/+60 °C

Temperature performance

Indication error when the temperature of the measuring system deviates from the normal temperature of 20 °C:
at rising temperature approx. $\pm 0.6 \text{ \%}/10 \text{ K}$
falling temperature approx. $\pm 0.6 \text{ \%}/10 \text{ K}$
of full scale value

Degree of protection

NG 63: IP 33 (EN 60529)

NG 100: IP 54 (EN 60529)

NG 160: IP 33 (EN 60529)



Standard version

Connection

Brass, bottom or centre back

Measuring element

Capsule element, CuBe alloy

Movement

Brass

Zero correction

From the front

Seal

NBR (Perbunan)

Dial

Aluminium, white

Scaling black

Pointer

Aluminium, black

Housing

Stainless steel 304

Bayonet type bezel

Stainless steel 304

Window

D401: Instrument glass

D411: Instrument glass

D431: Plastic (PMMA)

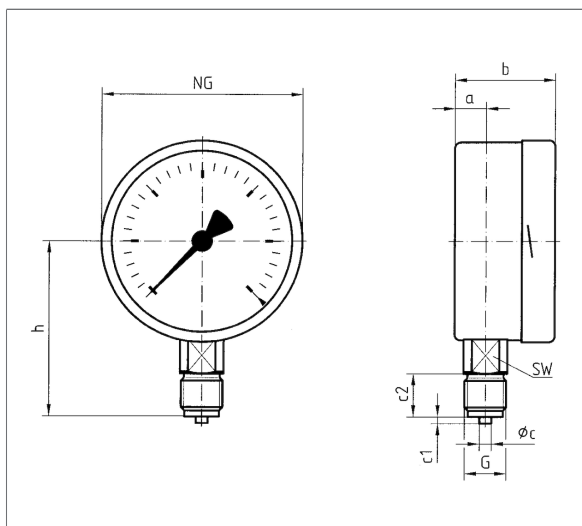
D451: Plastic (PMMA)

Options

- Overpressure and underpressure safety 10 x FSD
- Back flange
- Panel mounting bezel, with window, plastic
- 3-hole fixing, panel mounting bezel with window, plastic
- Damping screw
- Reference pointer
- Special scales
- Other process connections

Technical drawings

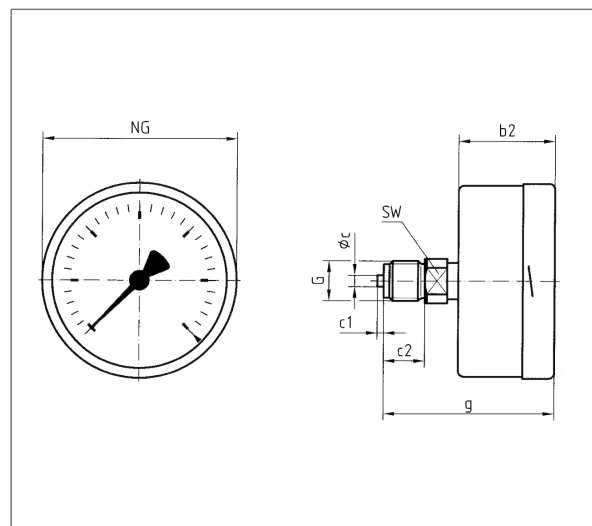
Bottom connection



Dimensions (mm)

NG	a	b	∅c	c1	c2	G	h	SW
63	10,8	40	5	2	13	G $\frac{1}{4}$ B	53	14
100	15,6	49	6	3	20	G $\frac{1}{2}$ B	86	22
160	17,5	50	6	3	20	G $\frac{1}{2}$ B	116	22

Centre back connection

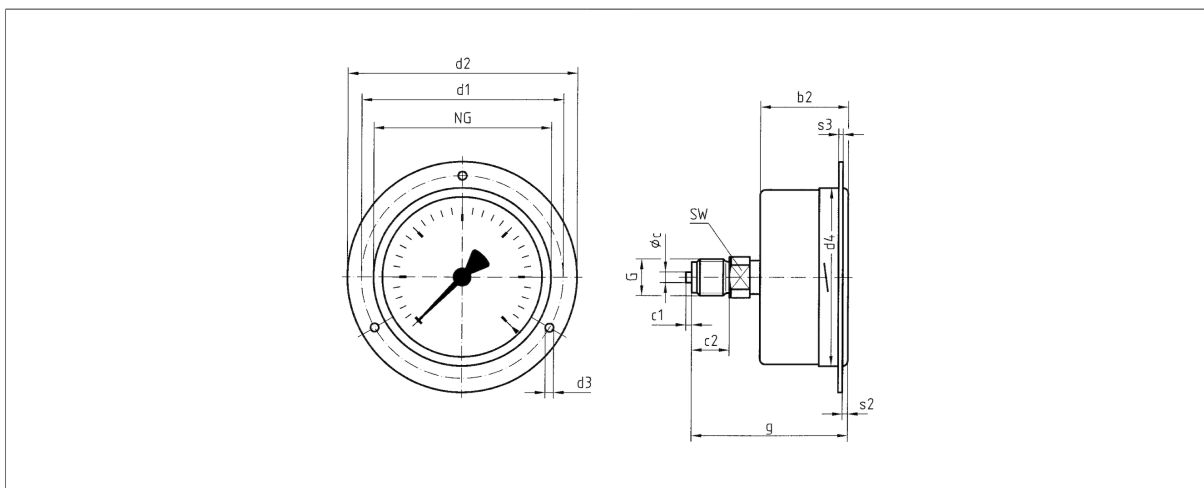


Dimensions (mm)

NG	b2	∅c	c1	c2	G	g	SW
63	37	5	2	13	G $\frac{1}{4}$ B	60	14
100	49	6	3	20	G $\frac{1}{2}$ B	81	22
160	50	6	3	20	G $\frac{1}{2}$ B	82	22



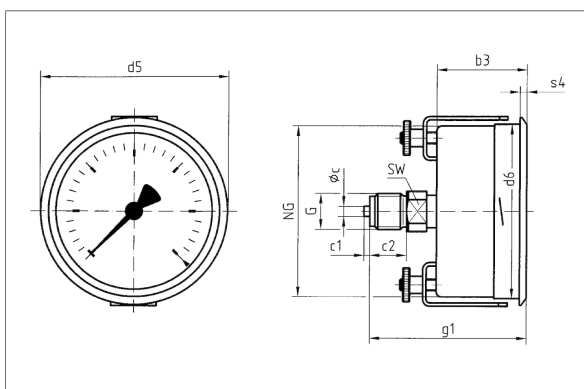
Centre back connection, 3-hole fixing, panel mounting bezel



Dimensions (mm)

NG	b2	∅c	c1	c2	d1*	d2	d3*	d4	G	g	s2	s3	SW
63	37	5	2	13	75	85	3,5	64	G $\frac{1}{4}$ B	60	3	2	14
100	49	6	3	20	116	132	4,8	104	G $\frac{1}{2}$ B	81	4	2	22
160	50	6	3	20	178	196	5,8	164	G $\frac{1}{2}$ B	82	4	2	22

Centre back connection, panel mounting bezel with clamp fixing



Dimensions (mm)

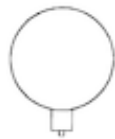
NG	b3	∅c	c1	c2	d5	d6	G	g1	s4	SW
63	37	5	2	13	68	64	G $\frac{1}{4}$ B	60	3	14
100	49	6	3	20	107	101	G $\frac{1}{2}$ B	81	4	22
160	52	6	3	20	167	161	G $\frac{1}{2}$ B	84	4,5	22



Versions

KP63 D401

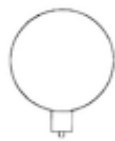
Housing \varnothing	Connection	Alignment	Housing	Accuracy class	Range	Type	Part no.
63 mm	G $\frac{1}{4}$ B	Bottom	Stainless steel 304	1,6	-25/0 mbar	KP63 D401	35004401
63 mm	G $\frac{1}{4}$ B	Bottom	Stainless steel 304	1,6	-40/0 mbar	KP63 D401	35005401
63 mm	G $\frac{1}{4}$ B	Bottom	Stainless steel 304	1,6	-60/0 mbar	KP63 D401	35006401
63 mm	G $\frac{1}{4}$ B	Bottom	Stainless steel 304	1,6	-100/0 mbar	KP63 D401	35007401
63 mm	G $\frac{1}{4}$ B	Bottom	Stainless steel 304	1,6	-160/0 mbar	KP63 D401	35008401
63 mm	G $\frac{1}{4}$ B	Bottom	Stainless steel 304	1,6	-250/0 mbar	KP63 D401	35009401
63 mm	G $\frac{1}{4}$ B	Bottom	Stainless steel 304	1,6	-400/0 mbar	KP63 D401	35010401
63 mm	G $\frac{1}{4}$ B	Bottom	Stainless steel 304	1,6	-600/0 mbar	KP63 D401	35011401
63 mm	G $\frac{1}{4}$ B	Bottom	Stainless steel 304	1,6	-1,000/0 mbar	KP63 D401	35012401
63 mm	G $\frac{1}{4}$ B	Bottom	Stainless steel 304	1,6	0/25 mbar	KP63 D401	35016401
63 mm	G $\frac{1}{4}$ B	Bottom	Stainless steel 304	1,6	0/40 mbar	KP63 D401	35017401
63 mm	G $\frac{1}{4}$ B	Bottom	Stainless steel 304	1,6	0/60 mbar	KP63 D401	35018401
63 mm	G $\frac{1}{4}$ B	Bottom	Stainless steel 304	1,6	0/100 mbar	KP63 D401	35019401
63 mm	G $\frac{1}{4}$ B	Bottom	Stainless steel 304	1,6	0/160 mbar	KP63 D401	35020401
63 mm	G $\frac{1}{4}$ B	Bottom	Stainless steel 304	1,6	0/250 mbar	KP63 D401	35021401
63 mm	G $\frac{1}{4}$ B	Bottom	Stainless steel 304	1,6	0/400 mbar	KP63 D401	35022401
63 mm	G $\frac{1}{4}$ B	Bottom	Stainless steel 304	1,6	0/600 mbar	KP63 D401	35023401
63 mm	G $\frac{1}{4}$ B	Bottom	Stainless steel 304	1,6	0/1,000 mbar	KP63 D401	35024401



Blue part no. = in-stock items

KP100 D401

Housing \varnothing	Connection	Alignment	Housing	Accuracy class	Range	Type	Part no.
100 mm	G $\frac{1}{2}$ B	Bottom	Stainless steel 304	1,6	-25/0 mbar	KP100 D401	35104401
100 mm	G $\frac{1}{2}$ B	Bottom	Stainless steel 304	1,6	-40/0 mbar	KP100 D401	35105401
100 mm	G $\frac{1}{2}$ B	Bottom	Stainless steel 304	1,6	-60/0 mbar	KP100 D401	35106401
100 mm	G $\frac{1}{2}$ B	Bottom	Stainless steel 304	1,6	-100/0 mbar	KP100 D401	35107401
100 mm	G $\frac{1}{2}$ B	Bottom	Stainless steel 304	1,6	-160/0 mbar	KP100 D401	35108401



Blue part no. = in-stock items



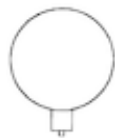
Housing \varnothing	Connection	Alignment	Housing	Accuracy class	Range	Type	Part no.
100 mm	G½B	Bottom	Stainless steel 304	1,6	-250/0 mbar	KP100 D401	35109401
100 mm	G½B	Bottom	Stainless steel 304	1,6	-400/0 mbar	KP100 D401	35110401
100 mm	G½B	Bottom	Stainless steel 304	1,6	-600/0 mbar	KP100 D401	35111401
100 mm	G½B	Bottom	Stainless steel 304	1,6	-1,000/0 mbar	KP100 D401	35112401
100 mm	G½B	Bottom	Stainless steel 304	1,6	0/25 mbar	KP100 D401	35116401
100 mm	G½B	Bottom	Stainless steel 304	1,6	0/40 mbar	KP100 D401	35117401
100 mm	G½B	Bottom	Stainless steel 304	1,6	0/60 mbar	KP100 D401	35118401
100 mm	G½B	Bottom	Stainless steel 304	1,6	0/100 mbar	KP100 D401	35119401
100 mm	G½B	Bottom	Stainless steel 304	1,6	0/160 mbar	KP100 D401	35120401
100 mm	G½B	Bottom	Stainless steel 304	1,6	0/250 mbar	KP100 D401	35121401
100 mm	G½B	Bottom	Stainless steel 304	1,6	0/400 mbar	KP100 D401	35122401
100 mm	G½B	Bottom	Stainless steel 304	1,6	0/600 mbar	KP100 D401	35123401
100 mm	G½B	Bottom	Stainless steel 304	1,6	0/1,000 mbar	KP100 D401	35124401

Blue part no. = in-stock items

KP160 D401

Housing \varnothing	Connection	Alignment	Housing	Accuracy class	Range	Type	Part no.
160 mm	G½B	Bottom	Stainless steel 304	4,0	-6/0 mbar	KP160 D401	35151401
160 mm	G½B	Bottom	Stainless steel 304	4,0	-10/0 mbar	KP160 D401	35152401
160 mm	G½B	Bottom	Stainless steel 304	4,0	-16/0 mbar	KP160 D401	35153401
160 mm	G½B	Bottom	Stainless steel 304	4,0	0/6 mbar	KP160 D401	35163401
160 mm	G½B	Bottom	Stainless steel 304	4,0	0/10 mbar	KP160 D401	35164401
160 mm	G½B	Bottom	Stainless steel 304	4,0	0/16 mbar	KP160 D401	35165401
160 mm	G½B	Bottom	Stainless steel 304	1,6	-25/0 mbar	KP160 D401	35154401
160 mm	G½B	Bottom	Stainless steel 304	1,6	-40/0 mbar	KP160 D401	35155401
160 mm	G½B	Bottom	Stainless steel 304	1,6	-60/0 mbar	KP160 D401	35156401
160 mm	G½B	Bottom	Stainless steel 304	1,6	-100/0 mbar	KP160 D401	35157401
160 mm	G½B	Bottom	Stainless steel 304	1,6	-160/0 mbar	KP160 D401	35158401
160 mm	G½B	Bottom	Stainless steel 304	1,6	-250/0 mbar	KP160 D401	35159401
160 mm	G½B	Bottom	Stainless steel 304	1,6	-400/0 mbar	KP160 D401	35160401

Blue part no. = in-stock items





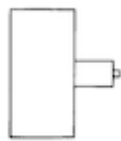
Housing \varnothing	Connection	Alignment	Housing	Accuracy class	Range	Type	Part no.
160 mm	G½B	Bottom	Stainless steel 304	1,6	-600/0 mbar	KP160 D401	35161401
160 mm	G½B	Bottom	Stainless steel 304	1,6	-1,000/0 mbar	KP160 D401	35162401
160 mm	G½B	Bottom	Stainless steel 304	1,6	0/25 mbar	KP160 D401	35166401
160 mm	G½B	Bottom	Stainless steel 304	1,6	0/40 mbar	KP160 D401	35167401
160 mm	G½B	Bottom	Stainless steel 304	1,6	0/60 mbar	KP160 D401	35168401
160 mm	G½B	Bottom	Stainless steel 304	1,6	0/100 mbar	KP160 D401	35169401
160 mm	G½B	Bottom	Stainless steel 304	1,6	0/160 mbar	KP160 D401	35170401
160 mm	G½B	Bottom	Stainless steel 304	1,6	0/250 mbar	KP160 D401	35171401
160 mm	G½B	Bottom	Stainless steel 304	1,6	0/400 mbar	KP160 D401	35172401
160 mm	G½B	Bottom	Stainless steel 304	1,6	0/600 mbar	KP160 D401	35173401
160 mm	G½B	Bottom	Stainless steel 304	1,6	0/1,000 mbar	KP160 D401	35174401

Blue part no. = in-stock items

KP63 D411

Housing \varnothing	Connection	Alignment	Housing	Accuracy class	Range	Type	Part no.
63 mm	G¼B	Centre back	Stainless steel 304	1,6	-25/0 mbar	KP63 D411	35004411
63 mm	G¼B	Centre back	Stainless steel 304	1,6	-40/0 mbar	KP63 D411	35005411
63 mm	G¼B	Centre back	Stainless steel 304	1,6	-60/0 mbar	KP63 D411	35006411
63 mm	G¼B	Centre back	Stainless steel 304	1,6	-100/0 mbar	KP63 D411	35007411
63 mm	G¼B	Centre back	Stainless steel 304	1,6	-160/0 mbar	KP63 D411	35008411
63 mm	G¼B	Centre back	Stainless steel 304	1,6	-250/0 mbar	KP63 D411	35009411
63 mm	G¼B	Centre back	Stainless steel 304	1,6	-400/0 mbar	KP63 D411	35010411
63 mm	G¼B	Centre back	Stainless steel 304	1,6	-600/0 mbar	KP63 D411	35011411
63 mm	G¼B	Centre back	Stainless steel 304	1,6	-1,000/0 mbar	KP63 D411	35012411
63 mm	G¼B	Centre back	Stainless steel 304	1,6	0/25 mbar	KP63 D411	35016411
63 mm	G¼B	Centre back	Stainless steel 304	1,6	0/40 mbar	KP63 D411	35017411
63 mm	G¼B	Centre back	Stainless steel 304	1,6	0/60 mbar	KP63 D411	35018411
63 mm	G¼B	Centre back	Stainless steel 304	1,6	0/100 mbar	KP63 D411	35019411
63 mm	G¼B	Centre back	Stainless steel 304	1,6	0/160 mbar	KP63 D411	35020411
63 mm	G¼B	Centre back	Stainless steel 304	1,6	0/250 mbar	KP63 D411	35021411

Blue part no. = in-stock items





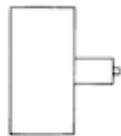
Housing [⊗]	Connection	Alignment	Housing	Accuracy class	Range	Type	Part no.
63 mm	G¼B	Centre back	Stainless steel 304	1,6	0/400 mbar	KP63 D411	35022411
63 mm	G¼B	Centre back	Stainless steel 304	1,6	0/600 mbar	KP63 D411	35023411
63 mm	G¼B	Centre back	Stainless steel 304	1,6	0/1,000 mbar	KP63 D411	35024411

Blue part no. = in-stock items

KP100 D411

Housing [⊗]	Connection	Alignment	Housing	Accuracy class	Range	Type	Part no.
100 mm	G½B	Centre back	Stainless steel 304	1,6	-25/0 mbar	KP100 D411	35104411
100 mm	G½B	Centre back	Stainless steel 304	1,6	-40/0 mbar	KP100 D411	35105411
100 mm	G½B	Centre back	Stainless steel 304	1,6	-60/0 mbar	KP100 D411	35106411
100 mm	G½B	Centre back	Stainless steel 304	1,6	-100/0 mbar	KP100 D411	35107411
100 mm	G½B	Centre back	Stainless steel 304	1,6	-160/0 mbar	KP100 D411	35108411
100 mm	G½B	Centre back	Stainless steel 304	1,6	-250/0 mbar	KP100 D411	35109411
100 mm	G½B	Centre back	Stainless steel 304	1,6	-400/0 mbar	KP100 D411	35110411
100 mm	G½B	Centre back	Stainless steel 304	1,6	-600/0 mbar	KP100 D411	35111411
100 mm	G½B	Centre back	Stainless steel 304	1,6	-1,000/0 mbar	KP100 D411	35112411
100 mm	G½B	Centre back	Stainless steel 304	1,6	0/25 mbar	KP100 D411	35116411
100 mm	G½B	Centre back	Stainless steel 304	1,6	0/40 mbar	KP100 D411	35117411
100 mm	G½B	Centre back	Stainless steel 304	1,6	0/60 mbar	KP100 D411	35118411
100 mm	G½B	Centre back	Stainless steel 304	1,6	0/100 mbar	KP100 D411	35119411
100 mm	G½B	Centre back	Stainless steel 304	1,6	0/160 mbar	KP100 D411	35120411
100 mm	G½B	Centre back	Stainless steel 304	1,6	0/250 mbar	KP100 D411	35121411
100 mm	G½B	Centre back	Stainless steel 304	1,6	0/400 mbar	KP100 D411	35122411
100 mm	G½B	Centre back	Stainless steel 304	1,6	0/600 mbar	KP100 D411	35123411
100 mm	G½B	Centre back	Stainless steel 304	1,6	0/1,000 mbar	KP100 D411	35124411

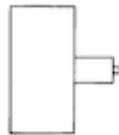
Blue part no. = in-stock items





KP160 D411

Housing \varnothing	Connection	Alignment	Housing	Accuracy class	Range	Type	Part no.
160 mm	G½B	Centre back	Stainless steel 304	4,0	-6/0 mbar	KP160 D411	35151411
160 mm	G½B	Centre back	Stainless steel 304	4,0	-10/0 mbar	KP160 D411	35152411
160 mm	G½B	Centre back	Stainless steel 304	4,0	-16/0 mbar	KP160 D411	35153411
160 mm	G½B	Centre back	Stainless steel 304	4,0	0/6 mbar	KP160 D411	35163411
160 mm	G½B	Centre back	Stainless steel 304	4,0	0/10 mbar	KP160 D411	35164411
160 mm	G½B	Centre back	Stainless steel 304	4,0	0/16 mbar	KP160 D411	35165411
160 mm	G½B	Centre back	Stainless steel 304	1,6	-25/0 mbar	KP160 D411	35154411
160 mm	G½B	Centre back	Stainless steel 304	1,6	-40/0 mbar	KP160 D411	35155411
160 mm	G½B	Centre back	Stainless steel 304	1,6	-60/0 mbar	KP160 D411	35156411
160 mm	G½B	Centre back	Stainless steel 304	1,6	-100/0 mbar	KP160 D411	35157411
160 mm	G½B	Centre back	Stainless steel 304	1,6	-160/0 mbar	KP160 D411	35158411
160 mm	G½B	Centre back	Stainless steel 304	1,6	-250/0 mbar	KP160 D411	35159411
160 mm	G½B	Centre back	Stainless steel 304	1,6	-400/0 mbar	KP160 D411	35160411
160 mm	G½B	Centre back	Stainless steel 304	1,6	-600/0 mbar	KP160 D411	35161411
160 mm	G½B	Centre back	Stainless steel 304	1,6	-1,000/0 mbar	KP160 D411	35162411
160 mm	G½B	Centre back	Stainless steel 304	1,6	0/25 mbar	KP160 D411	35166411
160 mm	G½B	Centre back	Stainless steel 304	1,6	0/40 mbar	KP160 D411	35167411
160 mm	G½B	Centre back	Stainless steel 304	1,6	0/60 mbar	KP160 D411	35168411
160 mm	G½B	Centre back	Stainless steel 304	1,6	0/100 mbar	KP160 D411	35169411
160 mm	G½B	Centre back	Stainless steel 304	1,6	0/160 mbar	KP160 D411	35170411
160 mm	G½B	Centre back	Stainless steel 304	1,6	0/250 mbar	KP160 D411	35171411
160 mm	G½B	Centre back	Stainless steel 304	1,6	0/400 mbar	KP160 D411	35172411
160 mm	G½B	Centre back	Stainless steel 304	1,6	0/600 mbar	KP160 D411	35173411
160 mm	G½B	Centre back	Stainless steel 304	1,6	0/1,000 mbar	KP160 D411	35174411

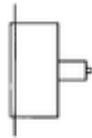


Blue part no. = in-stock items



KP63 D431

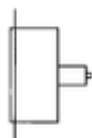
Housing \varnothing	Connection	Alignment	Housing	Accuracy class	Range	Type	Part no.
63 mm	G $\frac{1}{4}$ B	Centre back	Stainless steel 304	1,6	-25/0 mbar	KP63 D431	35004431
63 mm	G $\frac{1}{4}$ B	Centre back	Stainless steel 304	1,6	-40/0 mbar	KP63 D431	35005431
63 mm	G $\frac{1}{4}$ B	Centre back	Stainless steel 304	1,6	-60/0 mbar	KP63 D431	35006431
63 mm	G $\frac{1}{4}$ B	Centre back	Stainless steel 304	1,6	-100/0 mbar	KP63 D431	35007431
63 mm	G $\frac{1}{4}$ B	Centre back	Stainless steel 304	1,6	-160/0 mbar	KP63 D431	35008431
63 mm	G $\frac{1}{4}$ B	Centre back	Stainless steel 304	1,6	-250/0 mbar	KP63 D431	35009431
63 mm	G $\frac{1}{4}$ B	Centre back	Stainless steel 304	1,6	-400/0 mbar	KP63 D431	35010431
63 mm	G $\frac{1}{4}$ B	Centre back	Stainless steel 304	1,6	-600/0 mbar	KP63 D431	35011431
63 mm	G $\frac{1}{4}$ B	Centre back	Stainless steel 304	1,6	-1,000/0 mbar	KP63 D431	35012431
63 mm	G $\frac{1}{4}$ B	Centre back	Stainless steel 304	1,6	0/25 mbar	KP63 D431	35016431
63 mm	G $\frac{1}{4}$ B	Centre back	Stainless steel 304	1,6	0/40 mbar	KP63 D431	35017431
63 mm	G $\frac{1}{4}$ B	Centre back	Stainless steel 304	1,6	0/60 mbar	KP63 D431	35018431
63 mm	G $\frac{1}{4}$ B	Centre back	Stainless steel 304	1,6	0/100 mbar	KP63 D431	35019431
63 mm	G $\frac{1}{4}$ B	Centre back	Stainless steel 304	1,6	0/160 mbar	KP63 D431	35020431
63 mm	G $\frac{1}{4}$ B	Centre back	Stainless steel 304	1,6	0/250 mbar	KP63 D431	35021431
63 mm	G $\frac{1}{4}$ B	Centre back	Stainless steel 304	1,6	0/400 mbar	KP63 D431	35022431
63 mm	G $\frac{1}{4}$ B	Centre back	Stainless steel 304	1,6	0/600 mbar	KP63 D431	35023431
63 mm	G $\frac{1}{4}$ B	Centre back	Stainless steel 304	1,6	0/1,000 mbar	KP63 D431	35024431



Blue part no. = in-stock items

KP100 D431

Housing \varnothing	Connection	Alignment	Housing	Accuracy class	Range	Type	Part no.
100 mm	G $\frac{1}{2}$ B	Centre back	Stainless steel 304	1,6	-25/0 mbar	KP100 D431	35104431
100 mm	G $\frac{1}{2}$ B	Centre back	Stainless steel 304	1,6	-40/0 mbar	KP100 D431	35105431
100 mm	G $\frac{1}{2}$ B	Centre back	Stainless steel 304	1,6	-60/0 mbar	KP100 D431	35106431
100 mm	G $\frac{1}{2}$ B	Centre back	Stainless steel 304	1,6	-100/0 mbar	KP100 D431	35107431
100 mm	G $\frac{1}{2}$ B	Centre back	Stainless steel 304	1,6	-160/0 mbar	KP100 D431	35108431
100 mm	G $\frac{1}{2}$ B	Centre back	Stainless steel 304	1,6	-250/0 mbar	KP100 D431	35109431
100 mm	G $\frac{1}{2}$ B	Centre back	Stainless steel 304	1,6	-400/0 mbar	KP100 D431	35110431



Blue part no. = in-stock items



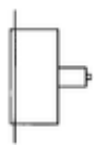
Housing ^ø	Connection	Alignment	Housing	Accuracy class	Range	Type	Part no.
100 mm	G½B	Centre back	Stainless steel 304	1,6	-600/0 mbar	KP100 D431	35111431
100 mm	G½B	Centre back	Stainless steel 304	1,6	-1,000/0 mbar	KP100 D431	35112431
100 mm	G½B	Centre back	Stainless steel 304	1,6	0/25 mbar	KP100 D431	35116431
100 mm	G½B	Centre back	Stainless steel 304	1,6	0/40 mbar	KP100 D431	35117431
100 mm	G½B	Centre back	Stainless steel 304	1,6	0/60 mbar	KP100 D431	35118431
100 mm	G½B	Centre back	Stainless steel 304	1,6	0/100 mbar	KP100 D431	35119431
100 mm	G½B	Centre back	Stainless steel 304	1,6	0/160 mbar	KP100 D431	35120431
100 mm	G½B	Centre back	Stainless steel 304	1,6	0/250 mbar	KP100 D431	35121431
100 mm	G½B	Centre back	Stainless steel 304	1,6	0/400 mbar	KP100 D431	35122431
100 mm	G½B	Centre back	Stainless steel 304	1,6	0/600 mbar	KP100 D431	35123431
100 mm	G½B	Centre back	Stainless steel 304	1,6	0/1,000 mbar	KP100 D431	35124431

Blue part no. = in-stock items

KP160 D431

Housing ^ø	Connection	Alignment	Housing	Accuracy class	Range	Type	Part no.
160 mm	G½B	Centre back	Stainless steel 304	4,0	-6/0 mbar	KP160 D431	35151431
160 mm	G½B	Centre back	Stainless steel 304	4,0	-10/0 mbar	KP160 D431	35152431
160 mm	G½B	Centre back	Stainless steel 304	4,0	-16/0 mbar	KP160 D431	35153431
160 mm	G½B	Centre back	Stainless steel 304	4,0	0/6 mbar	KP160 D431	35163431
160 mm	G½B	Centre back	Stainless steel 304	4,0	0/10 mbar	KP160 D431	35164431
160 mm	G½B	Centre back	Stainless steel 304	4,0	0/16 mbar	KP160 D431	35165431
160 mm	G½B	Centre back	Stainless steel 304	1,6	-25/0 mbar	KP160 D431	35154431
160 mm	G½B	Centre back	Stainless steel 304	1,6	-40/0 mbar	KP160 D431	35155431
160 mm	G½B	Centre back	Stainless steel 304	1,6	-60/0 mbar	KP160 D431	35156431
160 mm	G½B	Centre back	Stainless steel 304	1,6	-100/0 mbar	KP160 D431	35157431
160 mm	G½B	Centre back	Stainless steel 304	1,6	-160/0 mbar	KP160 D431	35158431
160 mm	G½B	Centre back	Stainless steel 304	1,6	-250/0 mbar	KP160 D431	35159431
160 mm	G½B	Centre back	Stainless steel 304	1,6	-400/0 mbar	KP160 D431	35160431
160 mm	G½B	Centre back	Stainless steel 304	1,6	-600/0 mbar	KP160 D431	35161431
160 mm	G½B	Centre back	Stainless steel 304	1,6	-1,000/0 mbar	KP160 D431	35162431

Blue part no. = in-stock items





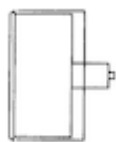
Housing [⊗]	Connection	Alignment	Housing	Accuracy class	Range	Type	Part no.
160 mm	G½B	Centre back	Stainless steel 304	1,6	0/25 mbar	KP160 D431	35166431
160 mm	G½B	Centre back	Stainless steel 304	1,6	0/40 mbar	KP160 D431	35167431
160 mm	G½B	Centre back	Stainless steel 304	1,6	0/60 mbar	KP160 D431	35168431
160 mm	G½B	Centre back	Stainless steel 304	1,6	0/100 mbar	KP160 D431	35169431
160 mm	G½B	Centre back	Stainless steel 304	1,6	0/160 mbar	KP160 D431	35170431
160 mm	G½B	Centre back	Stainless steel 304	1,6	0/250 mbar	KP160 D431	35171431
160 mm	G½B	Centre back	Stainless steel 304	1,6	0/400 mbar	KP160 D431	35172431
160 mm	G½B	Centre back	Stainless steel 304	1,6	0/600 mbar	KP160 D431	35173431
160 mm	G½B	Centre back	Stainless steel 304	1,6	0/1,000 mbar	KP160 D431	35174431

Blue part no. = in-stock items

KP63 D451

Housing [⊗]	Connection	Alignment	Housing	Accuracy class	Range	Type	Part no.
63 mm	G¼B	Centre back	Stainless steel 304	1,6	-25/0 mbar	KP63 D451	35004451
63 mm	G¼B	Centre back	Stainless steel 304	1,6	-40/0 mbar	KP63 D451	35005451
63 mm	G¼B	Centre back	Stainless steel 304	1,6	-60/0 mbar	KP63 D451	35006451
63 mm	G¼B	Centre back	Stainless steel 304	1,6	-100/0 mbar	KP63 D451	35007451
63 mm	G¼B	Centre back	Stainless steel 304	1,6	-160/0 mbar	KP63 D451	35008451
63 mm	G¼B	Centre back	Stainless steel 304	1,6	-250/0 mbar	KP63 D451	35009451
63 mm	G¼B	Centre back	Stainless steel 304	1,6	-400/0 mbar	KP63 D451	35010451
63 mm	G¼B	Centre back	Stainless steel 304	1,6	-600/0 mbar	KP63 D451	35011451
63 mm	G¼B	Centre back	Stainless steel 304	1,6	-1,000/0 mbar	KP63 D451	35012451
63 mm	G¼B	Centre back	Stainless steel 304	1,6	0/25 mbar	KP63 D451	35016451
63 mm	G¼B	Centre back	Stainless steel 304	1,6	0/40 mbar	KP63 D451	35017451
63 mm	G¼B	Centre back	Stainless steel 304	1,6	0/60 mbar	KP63 D451	35018451
63 mm	G¼B	Centre back	Stainless steel 304	1,6	0/100 mbar	KP63 D451	35019451
63 mm	G¼B	Centre back	Stainless steel 304	1,6	0/160 mbar	KP63 D451	35020451
63 mm	G¼B	Centre back	Stainless steel 304	1,6	0/250 mbar	KP63 D451	35021451

Blue part no. = in-stock items





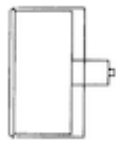
Housing [⊗]	Connection	Alignment	Housing	Accuracy class	Range	Type	Part no.
63 mm	G¼B	Centre back	Stainless steel 304	1,6	0/400 mbar	KP63 D451	35022451
63 mm	G¼B	Centre back	Stainless steel 304	1,6	0/600 mbar	KP63 D451	35023451
63 mm	G¼B	Centre back	Stainless steel 304	1,6	0/1,000 mbar	KP63 D451	35024451

Blue part no. = in-stock items

KP100 D451

Housing [⊗]	Connection	Alignment	Housing	Accuracy class	Range	Type	Part no.
100 mm	G½B	Centre back	Stainless steel 304	1,6	-25/0 mbar	KP100 D451	35104451
100 mm	G½B	Centre back	Stainless steel 304	1,6	-40/0 mbar	KP100 D451	35105451
100 mm	G½B	Centre back	Stainless steel 304	1,6	-60/0 mbar	KP100 D451	35106451
100 mm	G½B	Centre back	Stainless steel 304	1,6	-100/0 mbar	KP100 D451	35107451
100 mm	G½B	Centre back	Stainless steel 304	1,6	-160/0 mbar	KP100 D451	35108451
100 mm	G½B	Centre back	Stainless steel 304	1,6	-250/0 mbar	KP100 D451	35109451
100 mm	G½B	Centre back	Stainless steel 304	1,6	-400/0 mbar	KP100 D451	35110451
100 mm	G½B	Centre back	Stainless steel 304	1,6	-600/0 mbar	KP100 D451	35111451
100 mm	G½B	Centre back	Stainless steel 304	1,6	-1,000/0 mbar	KP100 D451	35112451
100 mm	G½B	Centre back	Stainless steel 304	1,6	0/25 mbar	KP100 D451	35116451
100 mm	G½B	Centre back	Stainless steel 304	1,6	0/40 mbar	KP100 D451	35117451
100 mm	G½B	Centre back	Stainless steel 304	1,6	0/60 mbar	KP100 D451	35118451
100 mm	G½B	Centre back	Stainless steel 304	1,6	0/100 mbar	KP100 D451	35119451
100 mm	G½B	Centre back	Stainless steel 304	1,6	0/160 mbar	KP100 D451	35120451
100 mm	G½B	Centre back	Stainless steel 304	1,6	0/250 mbar	KP100 D451	35121451
100 mm	G½B	Centre back	Stainless steel 304	1,6	0/400 mbar	KP100 D451	35122451
100 mm	G½B	Centre back	Stainless steel 304	1,6	0/600 mbar	KP100 D451	35123451
100 mm	G½B	Centre back	Stainless steel 304	1,6	0/1,000 mbar	KP100 D451	35124451

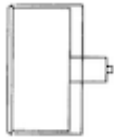
Blue part no. = in-stock items





KP160 D451

Housing \varnothing	Connection	Alignment	Housing	Accuracy class	Range	Type	Part no.
160 mm	G½B	Centre back	Stainless steel 304	4,0	-6/0 mbar	KP160 D451	35151451
160 mm	G½B	Centre back	Stainless steel 304	4,0	-10/0 mbar	KP160 D451	35152451
160 mm	G½B	Centre back	Stainless steel 304	4,0	-16/0 mbar	KP160 D451	35153451
160 mm	G½B	Centre back	Stainless steel 304	4,0	0/6 mbar	KP160 D451	35163451
160 mm	G½B	Centre back	Stainless steel 304	4,0	0/10 mbar	KP160 D451	35164451
160 mm	G½B	Centre back	Stainless steel 304	4,0	0/16 mbar	KP160 D451	35165451
160 mm	G½B	Centre back	Stainless steel 304	1,6	-25/0 mbar	KP160 D451	35154451
160 mm	G½B	Centre back	Stainless steel 304	1,6	-40/0 mbar	KP160 D451	35155451
160 mm	G½B	Centre back	Stainless steel 304	1,6	-60/0 mbar	KP160 D451	35156451
160 mm	G½B	Centre back	Stainless steel 304	1,6	-100/0 mbar	KP160 D451	35157451
160 mm	G½B	Centre back	Stainless steel 304	1,6	-160/0 mbar	KP160 D451	35158451
160 mm	G½B	Centre back	Stainless steel 304	1,6	-250/0 mbar	KP160 D451	35159451
160 mm	G½B	Centre back	Stainless steel 304	1,6	-400/0 mbar	KP160 D451	35160451
160 mm	G½B	Centre back	Stainless steel 304	1,6	-600/0 mbar	KP160 D451	35161451
160 mm	G½B	Centre back	Stainless steel 304	1,6	-1,000/0 mbar	KP160 D451	35162451
160 mm	G½B	Centre back	Stainless steel 304	1,6	0/25 mbar	KP160 D451	35166451
160 mm	G½B	Centre back	Stainless steel 304	1,6	0/40 mbar	KP160 D451	35167451
160 mm	G½B	Centre back	Stainless steel 304	1,6	0/60 mbar	KP160 D451	35168451
160 mm	G½B	Centre back	Stainless steel 304	1,6	0/100 mbar	KP160 D451	35169451
160 mm	G½B	Centre back	Stainless steel 304	1,6	0/160 mbar	KP160 D451	35170451
160 mm	G½B	Centre back	Stainless steel 304	1,6	0/250 mbar	KP160 D451	35171451
160 mm	G½B	Centre back	Stainless steel 304	1,6	0/400 mbar	KP160 D451	35172451
160 mm	G½B	Centre back	Stainless steel 304	1,6	0/600 mbar	KP160 D451	35173451
160 mm	G½B	Centre back	Stainless steel 304	1,6	0/1,000 mbar	KP160 D451	35174451



Blue part no. = in-stock items